



MIROS SIDEBOARD

A meditation on origin and the birth of form. A defined outer shell encloses a soft, womb-like interior: a space that feels both protective and unknown, familiar yet distant.

It invites reflection on what we hold, what we reveal, and what we choose to nurture. As with the collection as a whole, the piece exists within an oxymoronic balance where the rigidity of brutalist architecture meets the expressive freedom of postmodern design a dialogue between containment and release, structure and life.

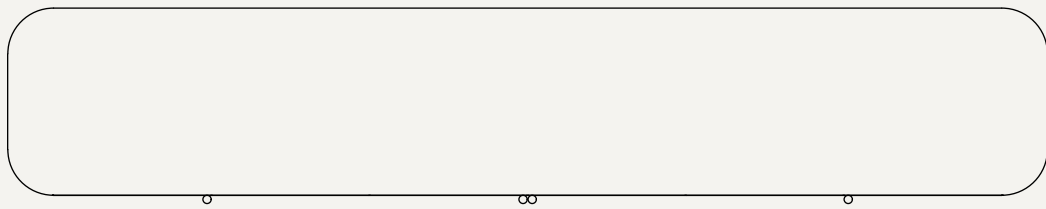
MATERIALS

Architectural Hardwood
Suade
Metal-infused lacquer

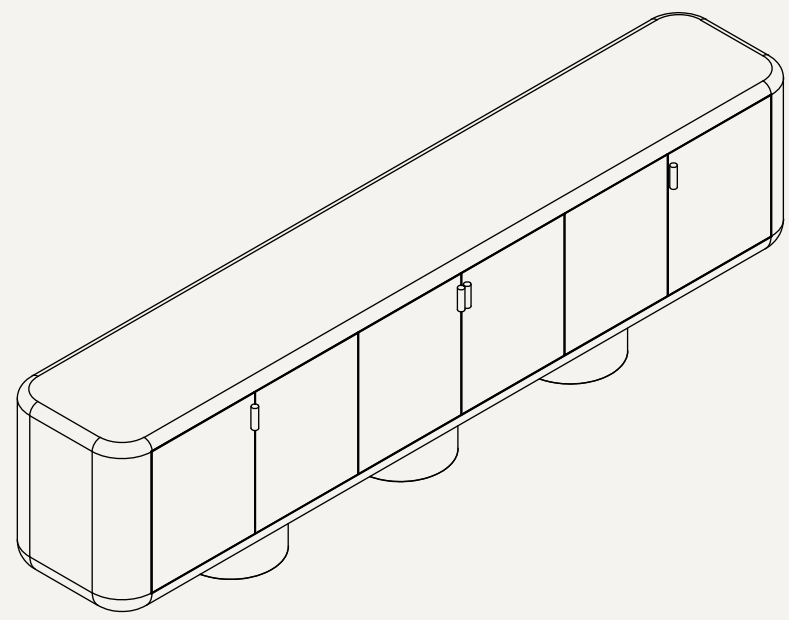
DIMENSIONS

(L) 2500mm
(W) 450mm
(H) 700mm

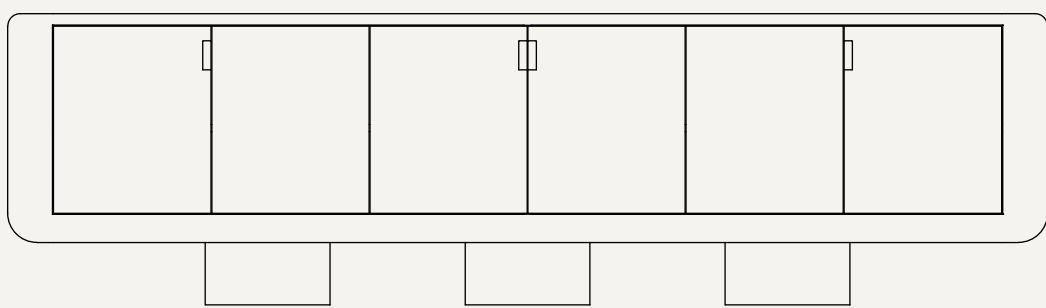
TOP



PERSPECTIVE



FRONT



SIDE

